

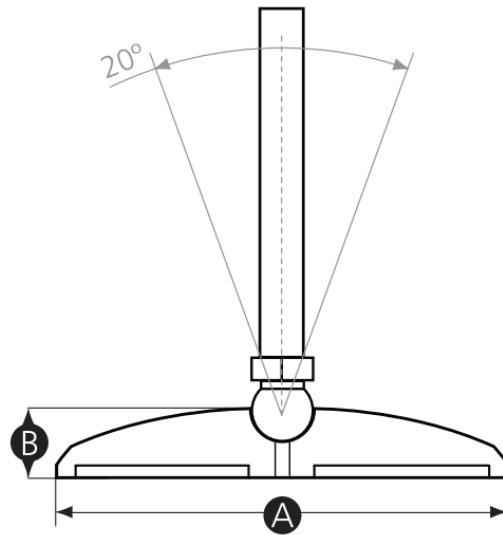
## G03LF Free-Standing Stainless Steel Levelling Glide

### Features

- Free standing stainless steel base and stainless steel rod
- Suitable for a wide range of applications including conveyors, industrial machines and furniture
- Many more base and rod size combinations available on request
- Extra grip and anti-vibration available with *G01ASP Rubber Anti Slip Plate* sold separately

### Material

- Base: Stainless steel 303
- Rod: Stainless steel 304



Part No.	A	B	Thread Size	Thread Length	Max Load
G03LF-15676P	30	26	M8	45	350 kg
G03LF-15675T			M10	45	470 kg
G03LF-15677W	40		M8	45	350 kg
G03LF-15678S			M10	45	470 kg
G03LF-15679Z	50		M10	90	470 kg
G03LF-15680V			M12	150	750 kg
G03LF-15681R	60		M12	100	750 kg
G03LF-15682Y			M12	150	750 kg
G03LF-15683U	80		M12	150	750 kg
G03LF-15684Q			M16	100	1,400 kg
G03LF-15685X	100		M16	100	1,400 kg
G03LF-15686T			29	M20	150
G03LF-15687P	M20	150		2,400 kg	
G03LF-15688W	M24	100		3,500 kg	